

Beaumont Reader (Cord Set)

SKU 1480xxx

IMPORTANT SAFETY INSTRUCTIONS

An opening for the attachment plug and supply cord is to be made in a location that will not allow the cord to be crushed if the headboard is pushed against the wall.

If the headboard is constructed of materials with sharp edges that could damage the cord such as metal or glass, the opening should have smooth round holes, or a plastic bushing shall be inserted to protect the cord.

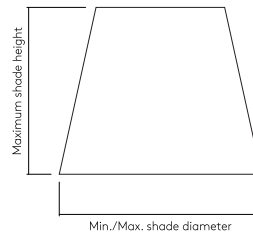
The National Electrical Code, ANSI/NFPA 70, does not permit cords to be concealed where damage to the insulation may go unnoticed. To prevent fire danger, do not run cord where it may be inaccessible for examination. Cords should be visually examined periodically and immediately replaced when any damage is noted.

Spacers or similar means shall be provided on the headboard so that the cord will not be pinched or damaged if the headboard is pushed against the wall.

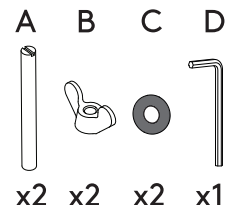
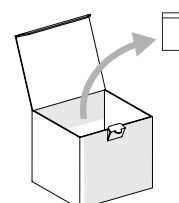
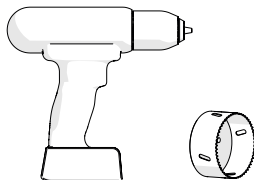
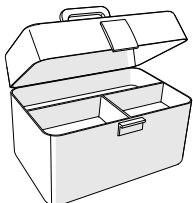
Use only insulated staples or plastic ties to secure cords.

TO BE USED WITH A SHADE THAT FALLS WITHIN THE FOLLOWING DIMENSIONS /
À UTILISER AVEC UN ABAT-JOUR QUI EST DANS LES DIMENSIONS SUIVANTES /
PARA UTILIZARSE CON UN SOMBRE QUE SE ENCUENTRE EN LAS SIGUIENTES
DIMENSIONES

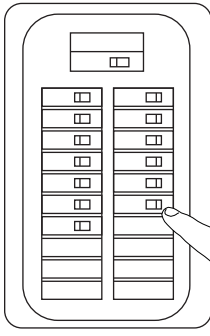
Minimum shade diameter (mm/in)	Maximum shade diameter (mm/in)	Maximum shade weight (kg)
180/7.0 Tapering 150/5.9	280/11.0	0.202



SHADE SHOULD BE OPEN BOTTOMED /
L'ABAT-JOUR DOIT ÊTRE OUVERT PAR LE BAS /
LA PANTALLA DEBERÍA TENER LA PARTE INFERIOR ABIERTA.



1

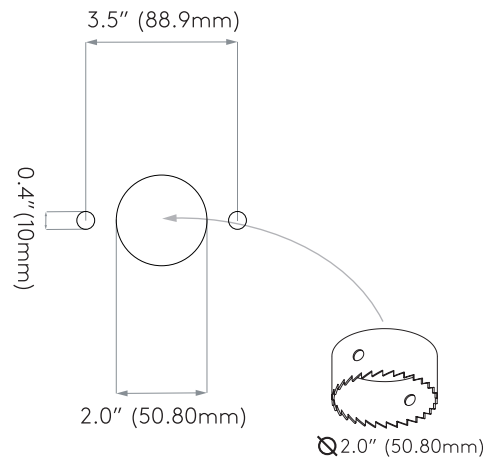


Electrical work should be performed with the power OFF on the respective circuit and be conducted by a licenced professional.

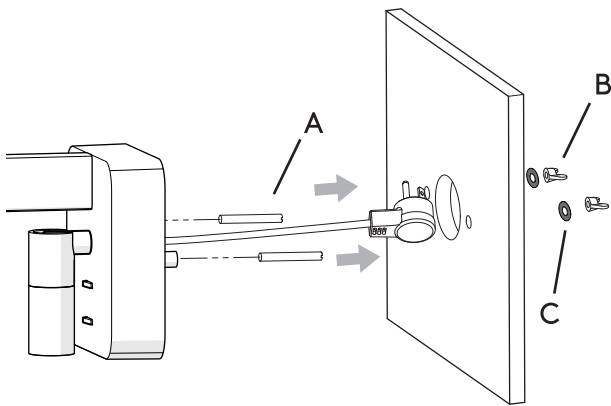
Les travaux électriques doivent être effectués avec le hors tension sur le circuit et être conduit par un professionnel agréé.

El trabajo eléctrico debe ser realizado con el apague el respectivo circuito y ser conducido por un profesional con licencia.

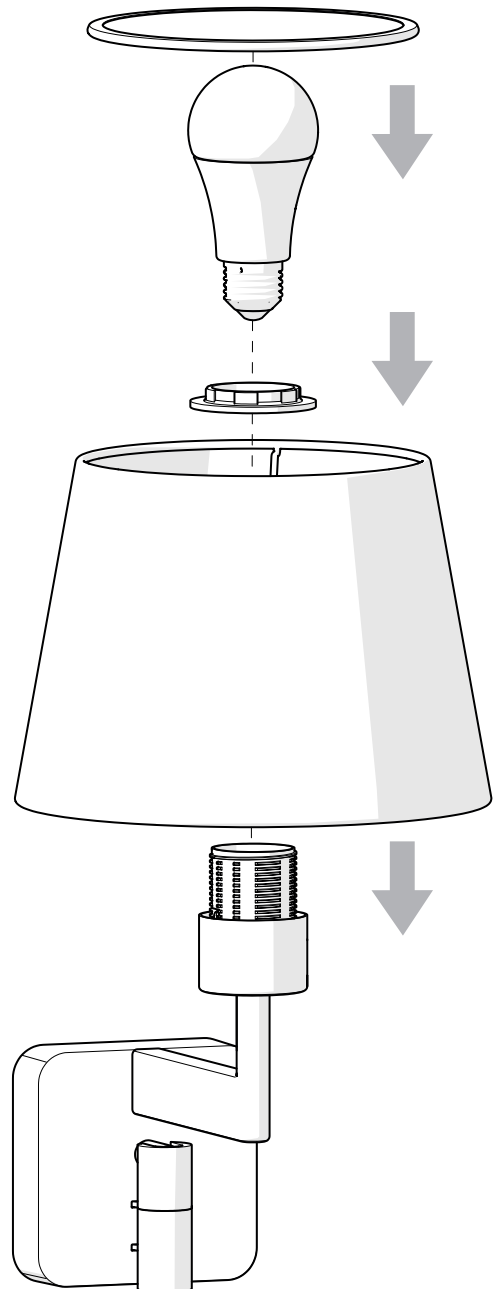
2



3



5



4

