

Avlon LED 1200 Cord Set

SKU 1359xxx

astro

INSTALLATION INSTRUCTIONS / INSTRUCTIONS D'INSTALLATION / INSTRUCCIONES DE INSTALACIÓN

EN PLEASE READ THE INSTRUCTIONS CAREFULLY

THIS PRODUCT MUST BE INSTALLED IN ACCORDANCE WITH THE APPLICABLE INSTALLATION CODE BY A PERSON FAMILIAR WITH THE CONSTRUCTION AND OPERATION OF THE PRODUCT AND THE HAZARDS INVOLVED. CONSULT A QUALIFIED ELECTRICIAN TO ENSURE CORRECT BRANCH CIRCUIT CONDUCTOR.

FR LIRE ATTENTIVEMENT LES INSTRUCTIONS AVANT DE COMMENCER LE MONTAGE

CE PRODUIT DOIT ÊTRE INSTALLÉ SELON LE CODE D'INSTALLATION PERTINENT, PAR UNE PERSONNE QUI CONNAÎT BIEN LE PRODUIT ET SON FONCTIONNEMENT AINSI QUE LES RISQUES INHÉRENTS. CONSULTER UN ÉLECTRICIEN QUALIFIÉ POUR VOUS ASSURER QUE LES CONDUCTEURS DE LA DÉRIVATION SONT ADÉQUATS.

ES LEA DETENIDAMENTE LAS INSTRUCCIONES

ESTE PRODUCTOR DEBE SER INSTALADO SEGUN EL CODIGO DE INSTALACION APLICABLE POR UNA PERSONA QUE CONOZCA LE CONSTUSSION Y EL FUNCIONAMIENTO DEL PRODUCTO Y LOS RIESGOS QUE SUPONE. CONSULTAR A UN ELECTRICISTA CALIFICADO PARA ASEGURAR LA ELECCION DEL CONDUCTOR DE CIRCUITO DERIVADO.

THIS DEVICE COMPLIES WITH PART 15 OF THE FCC RULES. OPERATION IS SUBJECT TO THE FOLLOWING TWO CONDITIONS:
(1) THIS DEVICE MAY NOT CAUSE HARMFUL INTERFERENCE, AND (2) THIS DEVICE MUST ACCEPT ANY INTERFERENCE RECEIVED, INCLUDING INTERFERENCE THAT MAY CAUSE UNDESIRE OPERATION

NOTE: THIS EQUIPMENT HAS BEEN TESTED AND FOUND TO COMPLY WITH THE LIMITS FOR A CLASS B DIGITAL DEVICE, PURSUANT TO PART 15 OF THE FCC RULES. THESE LIMITS ARE DESIGNED TO PROVIDE REASONABLE PROTECTION AGAINST HARMFUL INTERFERENCE IN A RESIDENTIAL INSTALLATION. THIS EQUIPMENT GENERATES, USES AND CAN RADIATE RADIO FREQUENCY ENERGY AND, IF NOT INSTALLED AND USED IN ACCORDANCE WITH THE INSTRUCTIONS, MAY CAUSE HARMFUL INTERFERENCE TO RADIO COMMUNICATIONS. HOWEVER, THERE IS NO GUARANTEE THAT INTERFERENCE WILL NOT OCCUR IN A PARTICULAR INSTALLATION. IF THIS EQUIPMENT DOES CAUSE HARMFUL INTERFERENCE TO RADIO OR TELEVISION RECEPTION, WHICH CAN BE DETERMINED BY TURNING THE EQUIPMENT OFF AND ON, THE USER IS ENCOURAGED TO TRY TO CORRECT THE INTERFERENCE BY ONE OR MORE OF THE FOLLOWING MEASURES:

- REORIENT OR RELOCATE THE RECEIVING ANTENNA.
- INCREASE THE SEPARATION BETWEEN THE EQUIPMENT AND RECEIVER.
- CONNECT THE EQUIPMENT INTO AN OUTLET ON A CIRCUIT DIFFERENT FROM THAT TO WHICH THE RECEIVER IS CONNECTED.
- CONSULT THE DEALER OR AN EXPERIENCED RADIO/TV TECHNICIAN FOR HELP. CHANGES OR MODIFICATIONS NOT EXPRESSLY APPROVED BY THE PARTY RESPONSIBLE FOR COMPLIANCE COULD VOID THE USER'S AUTHORITY TO OPERATE THE EQUIPMENT.

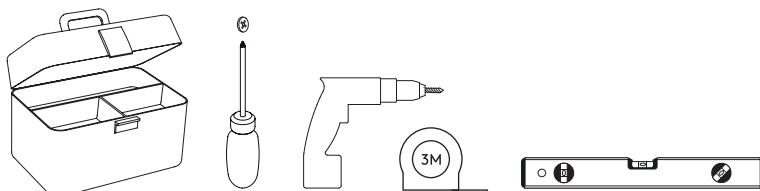
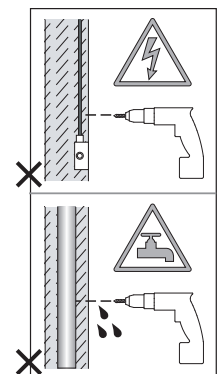
CAN ICES-005 (B) / NMB-005 (B)



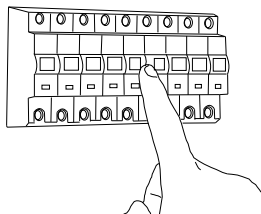
Wall Mount Only
Installation murale seulement
Exclusivamente para fijación en muro



Two people required
Deux personnes sont nécessaires
Se requieren dos personas



1

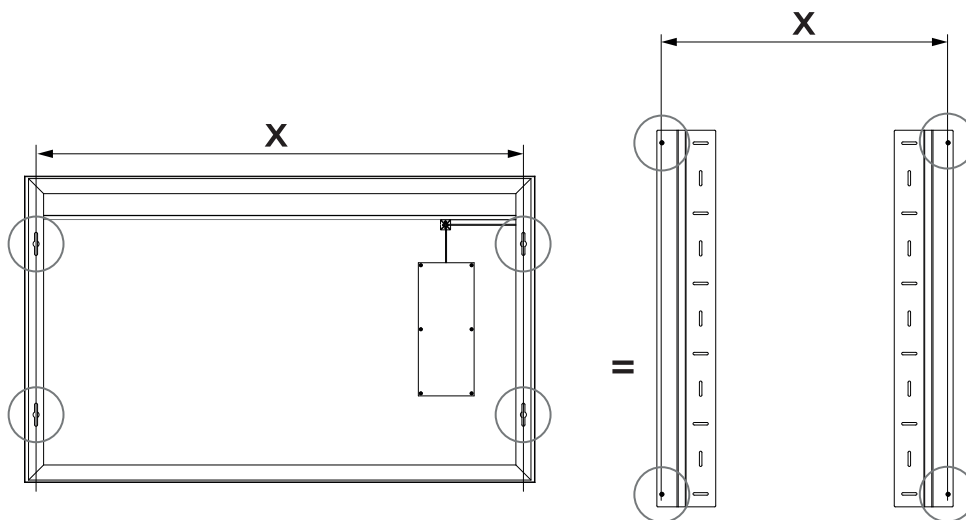


Turn Off Power
Couper Le Courant! /
Corte La Corriente!

DANGER - RISK OF SHOCK -
Disconnect power
before installation

DANGER - RISQUE DE CHOC -
Couper l'alimentation
avant l'installation

2

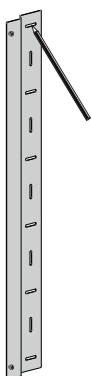


Measure the width across the hole centres on the top and bottom vertical slots on the mirror.

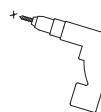
Mesurez la largeur à travers les centres de trou sur les fentes verticales du haut et du bas sur le miroir.

Mida el ancho a través de los centros de taladro en las ranuras verticales superior e inferior del espejo.

3A



3B

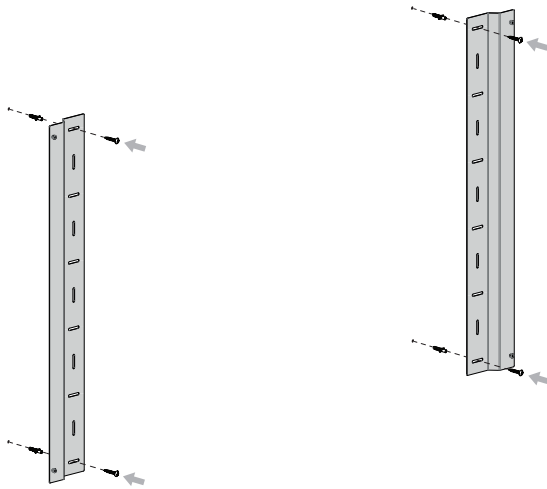


Mark the slotted holes on the wall brackets. As a minimum, use the top and bottom holes. Use more if needed. For maximum support, locate and fix to a wooden stud.

Marquez les trous oblongs sur les supports muraux. Au minimum, utilisez les trous du haut et du bas. Utilisez plus si nécessaire. Pour un soutien maximal, localisez et fixez sur un montant en bois.

Marque los orificios ranurados en los soportes de pared. Como mínimo, use los orificios superior e inferior. Use más si es necesario. Para obtener el máximo apoyo, ubíquelo y fíjelo a un montante de madera.

4



Fixings not Included.
Use suitable fixings for wall type.

Fixations non incluses.
Utilisez des fixations adaptées au type de mur.

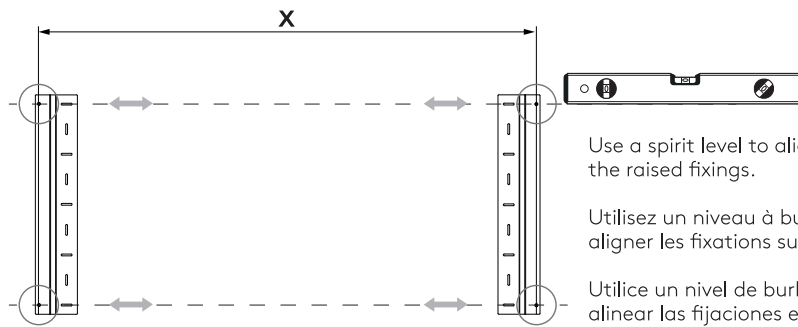
Fijaciones no incluidas.
Utilice fijaciones adecuadas para el tipo de pared.

5

Check the centre of the raised fixings on the wall brackets and ensure they match the mirror. Adjust if necessary.

Vérifiez le centre des fixations surélevées sur les supports muraux et assurez-vous qu'ils correspondent au miroir. Ajustez si nécessaire.

Verifique el centro de las fijaciones elevadas en los soportes de pared y asegúrese de que coincidan con el espejo. Ajustelo si es necesario.

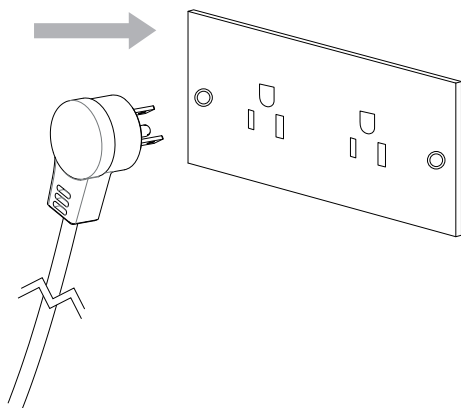


Use a spirit level to align the raised fixings.

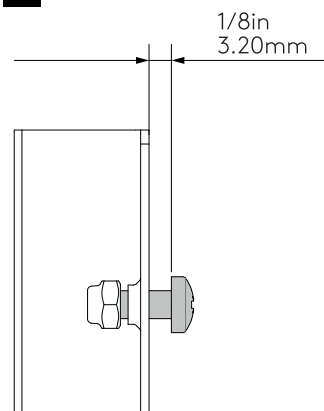
Utilisez un niveau à bulle pour aligner les fixations surélevées.

Utilice un nivel de burbuja para alinear las fijaciones elevadas.

6



7



Ensure the fixings are raised by at least 1/8in (3.2mm).

Assurez-vous que les fixations sont surélevées d'au moins 1/8in (3.2mm).

Asegúrese de que las fijaciones estén elevadas al menos 1/8 pulg. (3,2 mm).

8



Two people required
Deux personnes sont nécessaires
Se requieren dos personas

