

Ascoli Swing (Cord Set)

astro

SKU 1286xxx

An opening for the attachment plug and supply cord is to be made in a location that will not allow the cord to be crushed if the headboard is pushed against the wall. If spacers or similar means are needed to prevent cord crushing, instructions for acquiring and installing such spacers on the headboard shall be provided.

If the headboard is constructed of materials with sharp edges that could damage the cord such as metal or glass, the opening should have smooth round holes, or a plastic bushing shall be inserted to protect the cord.

The National Electrical Code, ANSI/NFPA 70, does not permit cords to be concealed where damage to the insulation may go unnoticed. To prevent fire danger, do not run cord where it may be inaccessible for examination. Cords should be visually examined periodically and immediately replaced when any damage is noted.

Spacers or similar means shall be provided on the headboard so that the cord will not be pinched or damaged if the headboard is pushed against the wall.

Use only insulated staples or plastic ties to secure cords.

INSTRUCTIONS PERTAINING TO A RISK OF FIRE, ELECTRIC SHOCK, EXPOSURE TO EXCESSIVE UV RADIATION, OR INJURY TO PERSONS IMPORTANT SAFETY INSTRUCTIONS

Lighted lamp is HOT:

WARNING - To reduce the risk of FIRE, ELECTRIC SHOCK, EXPOSURE TO EXCESSIVE UV RADIATION, OR INJURY TO PERSONS:

- 1) Turn off/unplug and allow to cool before replacing bulb (lamp).
 - 2) Bulb (lamp) gets HOT quickly! Only contact switch/plug when turning on.
 - 3) Do not touch hot lens, guard, or enclosure.
 - 4) Do not remain in light if skin feels warm.
 - 5) Do not look directly at lighted lamp.
 - 6) Keep lamp away from materials that may burn.
 - 7) Use only with a 20W or smaller bulb (lamp).
 - 8) Do not touch the bulb (lamp) at any time. Use a soft cloth. Oil from skin may damage bulb (lamp).
 - 9) Do not operate the portable luminaire with a missing or damaged guard, lamp containment barrier, or UV filter.
- SAVE THESE INSTRUCTIONS

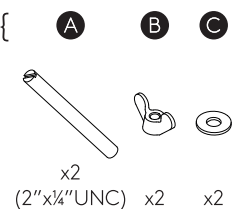
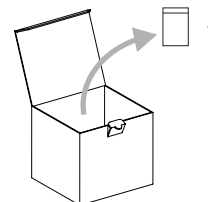
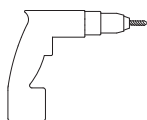
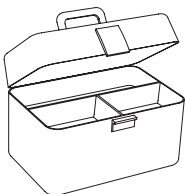
WARNING - RISK OF FIRE/INJURY TO PERSONS. Keep away from combustibles. Unplug to change bulb (lamp). Do not touch the bulb (lamp).



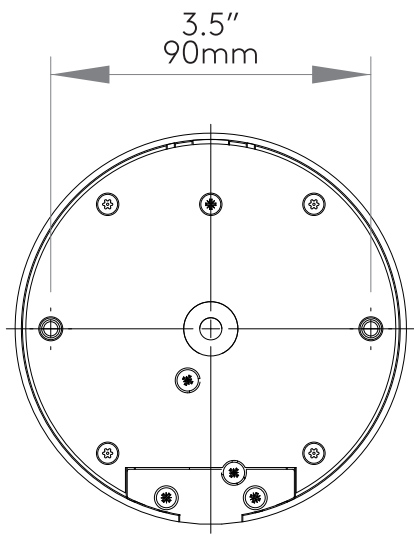
Headboard Only
Tête de lit uniquement
Cabecero solamente



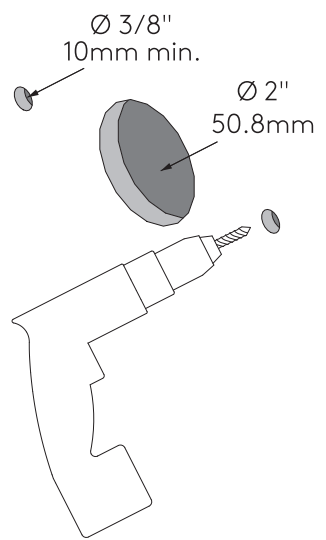
Unsuitable For Dimming
Ne convient pour gradateur
No es adecuado para dimmer



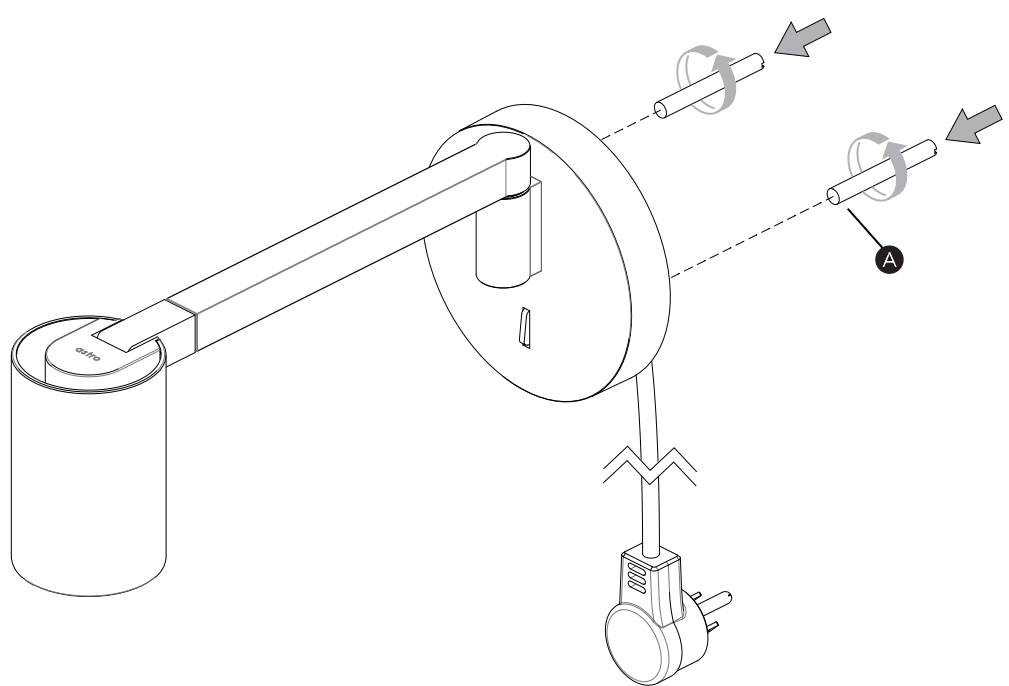
1



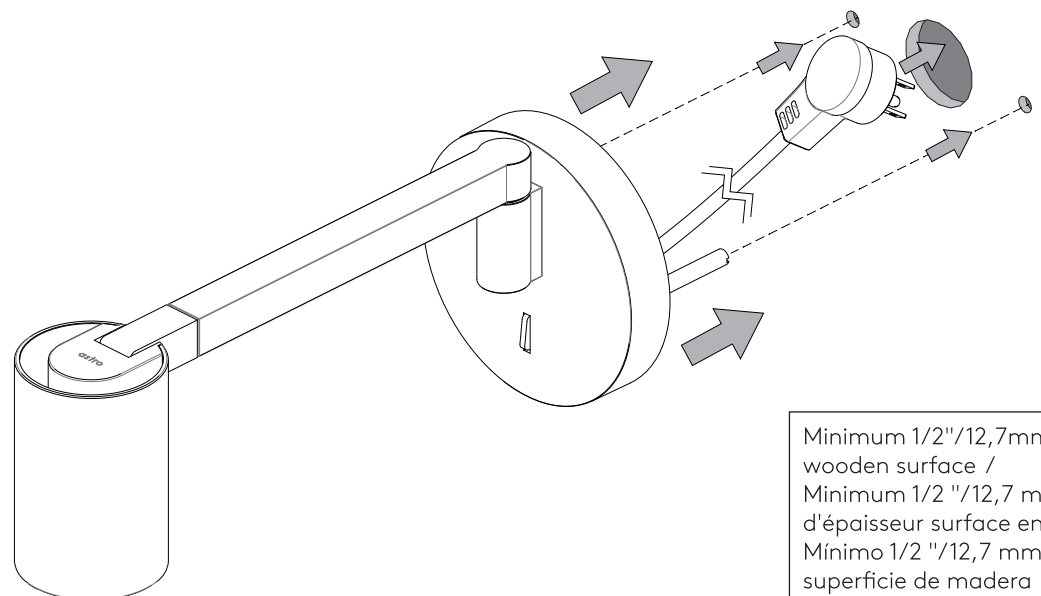
2



3

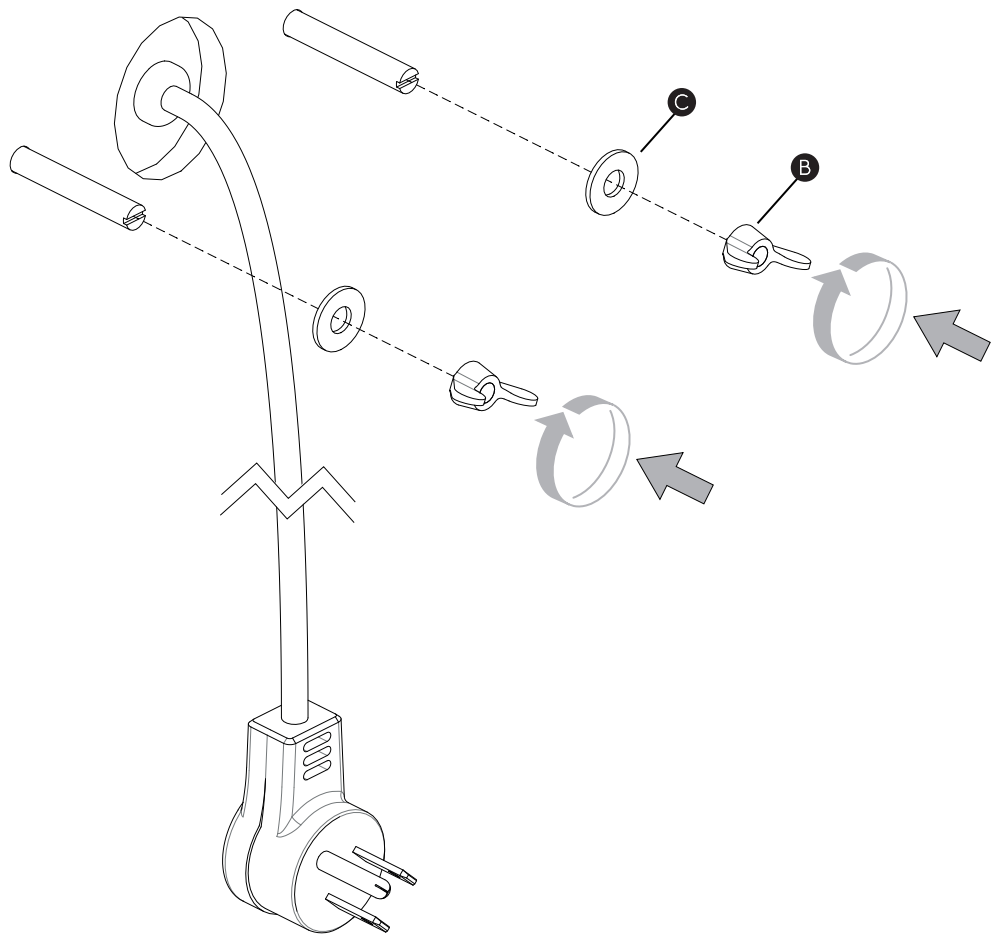


4



Minimum 1/2"/12,7mm thick
wooden surface /
Minimum 1/2 "/12,7 mm
d'épaisseur surface en bois /
Mínimo 1/2 "/12,7 mm de grosor
superficie de madera

5



6

