

Atelier Wall (Cord Set)

astro

SKU 1224xxx

An opening for the attachment plug and supply cord is to be made in a location that will not allow the cord to be crushed if the headboard is pushed against the wall. If spacers or similar means are needed to prevent cord crushing, instructions for acquiring and installing such spacers on the headboard shall be provided.

If the headboard is constructed of materials with sharp edges that could damage the cord such as metal or glass, the opening should have smooth round holes, or a plastic bushing shall be inserted to protect the cord.

The National Electrical Code, ANSI/NFPA 70, does not permit cords to be concealed where damage to the insulation may go unnoticed. To prevent fire danger, do not run cord where it may be inaccessible for examination. Cords should be visually examined periodically and immediately replaced when any damage is noted.

Spacers or similar means shall be provided on the headboard so that the cord will not be pinched or damaged if the headboard is pushed against the wall.

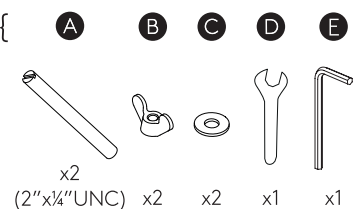
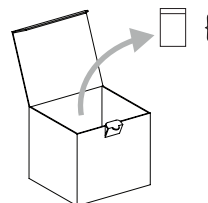
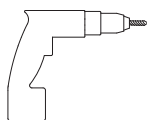
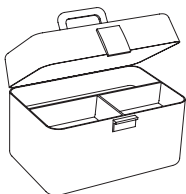
Use only insulated staples or plastic ties to secure cords.



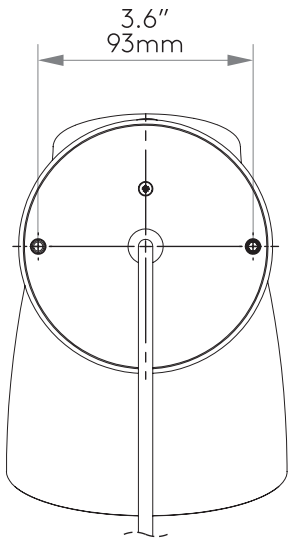
HEADBOARD ONLY
Tête de lit uniquement
Cabecero solamente



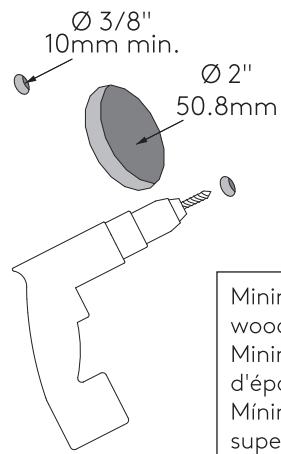
UNSUITABLE FOR DIMMING
Ne convient pour gradateur
No es adecuado para dimmer



1

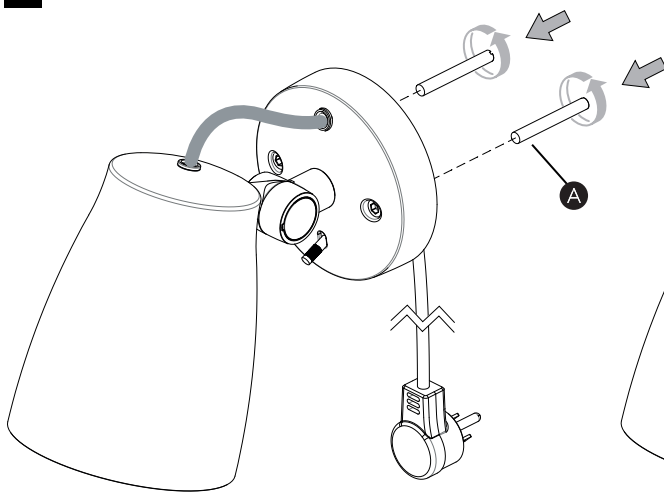


2

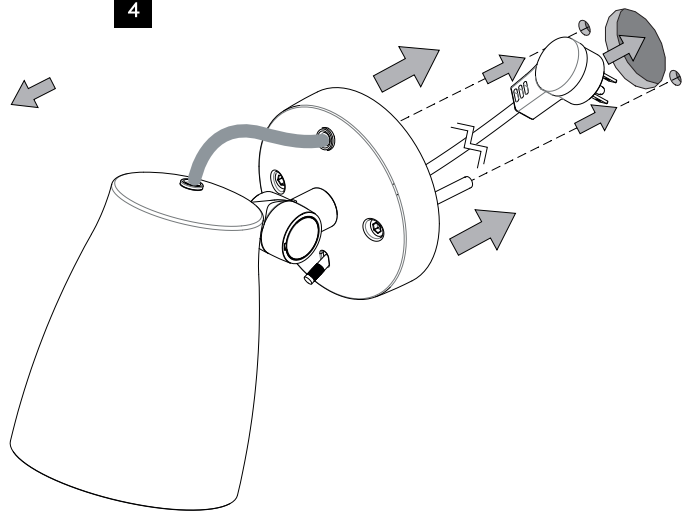


Minimum 1/2"/12,7mm thick
wooden surface /
Minimum 1/2 "/12,7 mm
d'épaisseur surface en bois /
Mínimo 1/2 "/12,7 mm de grosor
superficie de madera

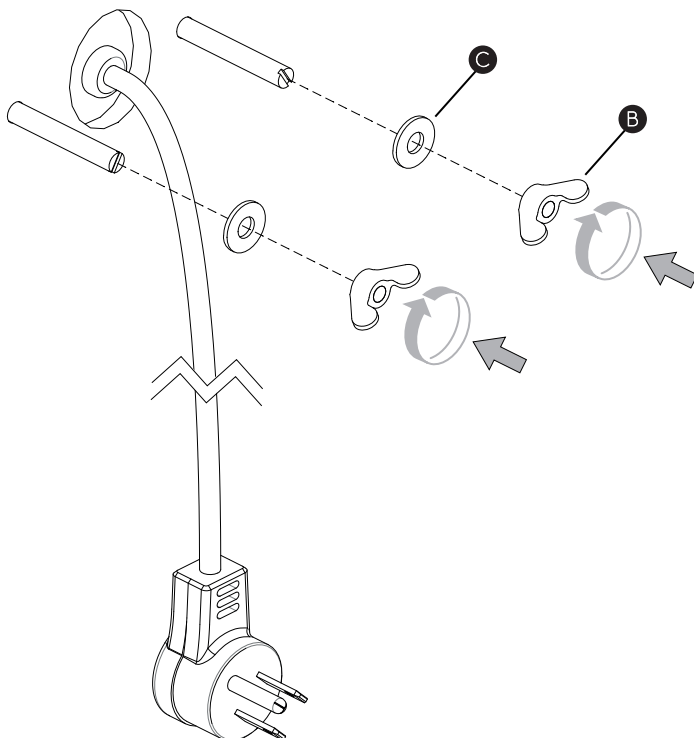
3



4



5



6

