

ENNA SQUARE SWITCHED LED (CORD SET)

astro

SKU 1058xxx

An opening for the attachment plug and supply cord is to be made in a location that will not allow the cord to be crushed if the headboard is pushed against the wall. If spacers or similar means are needed to prevent cord crushing, instructions for acquiring and installing such spacers on the headboard shall be provided.

If the headboard is constructed of materials with sharp edges that could damage the cord such as metal or glass, the opening should have smooth round holes, or a plastic bushing shall be inserted to protect the cord.

The National Electrical Code, ANSI/NFPA 70, does not permit cords to be concealed where damage to the insulation may go unnoticed. To prevent fire danger, do not run cord where it may be inaccessible for examination. Cords should be visually examined periodically and immediately replaced when any damage is noted.

Spacers or similar means shall be provided on the headboard so that the cord will not be pinched or damaged if the headboard is pushed against the wall.

Use only insulated staples or plastic ties to secure cords.

Recommended fixing screw: #7 x 1/2"

THIS DEVICE COMPLIES WITH PART 15 OF THE FCC RULES. OPERATION IS SUBJECT TO THE FOLLOWING TWO CONDITIONS:

(1) THIS DEVICE MAY NOT CAUSE HARMFUL INTERFERENCE, AND (2) THIS DEVICE MUST ACCEPT ANY INTERFERENCE RECEIVED, INCLUDING INTERFERENCE THAT MAY CAUSE UNDESIRE OPERATION

NOTE: THIS EQUIPMENT HAS BEEN TESTED AND FOUND TO COMPLY WITH THE LIMITS FOR A CLASS B DIGITAL DEVICE, PURSUANT TO PART 15 OF THE FCC RULES. THESE LIMITS ARE DESIGNED TO PROVIDE REASONABLE PROTECTION AGAINST HARMFUL INTERFERENCE IN A RESIDENTIAL INSTALLATION. THIS EQUIPMENT GENERATES, USES AND CAN RADIATE RADIO FREQUENCY ENERGY AND, IF NOT INSTALLED AND USED IN ACCORDANCE WITH THE INSTRUCTIONS, MAY CAUSE HARMFUL INTERFERENCE TO RADIO COMMUNICATIONS. HOWEVER, THERE IS NO GUARANTEE THAT INTERFERENCE WILL NOT OCCUR IN A PARTICULAR INSTALLATION. IF THIS EQUIPMENT DOES CAUSE HARMFUL INTERFERENCE TO RADIO OR TELEVISION RECEPTION, WHICH CAN BE DETERMINED BY TURNING THE EQUIPMENT OFF AND ON, THE USER IS ENCOURAGED TO TRY TO CORRECT THE INTERFERENCE BY ONE OR MORE OF THE FOLLOWING MEASURES:

- REORIENT OR RELOCATE THE RECEIVING ANTENNA.
- INCREASE THE SEPARATION BETWEEN THE EQUIPMENT AND RECEIVER.
- CONNECT THE EQUIPMENT INTO AN OUTLET ON A CIRCUIT DIFFERENT FROM THAT TO WHICH THE RECEIVER IS CONNECTED.
- CONSULT THE DEALER OR AN EXPERIENCED RADIO/TV TECHNICIAN FOR HELP. CHANGES OR MODIFICATIONS NOT EXPRESSLY APPROVED BY THE PARTY RESPONSIBLE FOR COMPLIANCE COULD VOID THE USER'S AUTHORITY TO OPERATE THE EQUIPMENT.

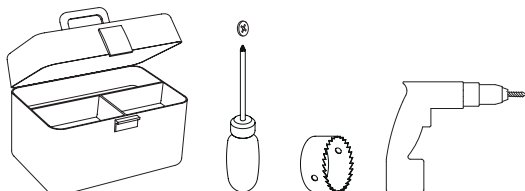
CAN ICES-005 (B) / NMB-005 (B)



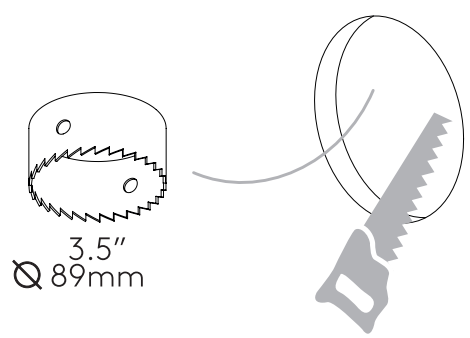
HEADBOARD ONLY
Tête de lit uniquement
Cabecero solamente



UNSUITABLE FOR DIMMING
Ne convient pour gradateur
No es adecuado para dimmer

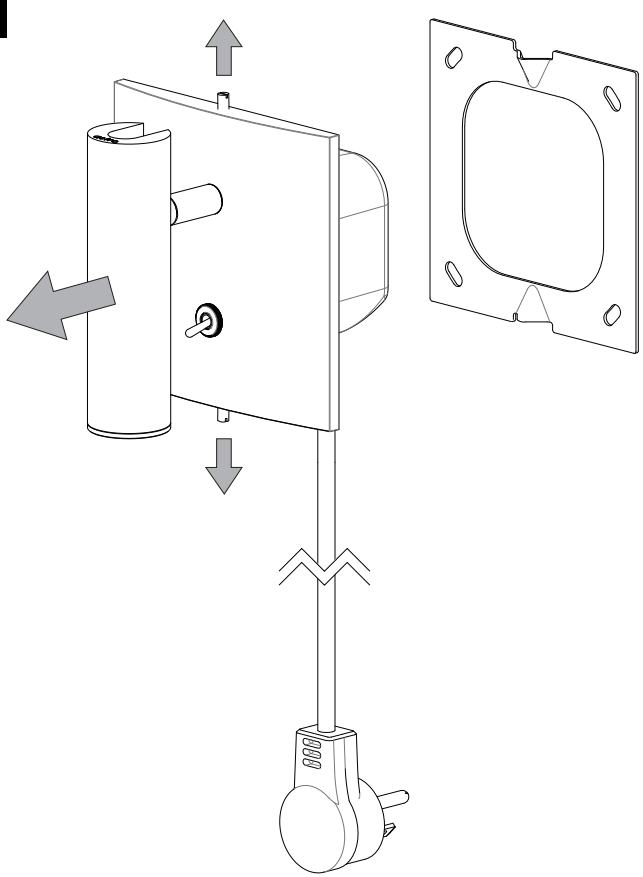


1

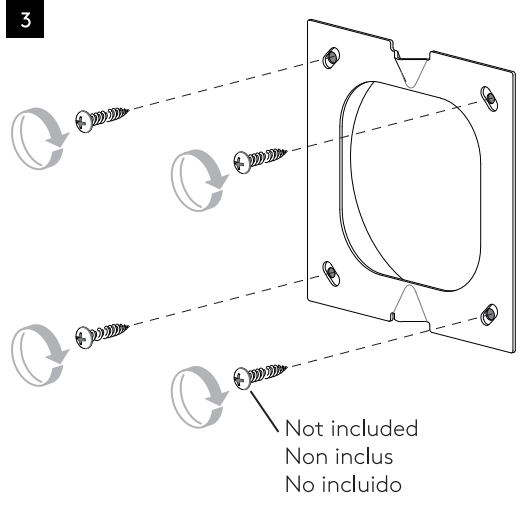


Minimum 1/2"/12,7mm thick
wooden surface /
Minimum 1/2 "/12,7 mm
d'épaisseur surface en bois /
Mínimo 1/2 "/12,7 mm de grosor
superficie de madera

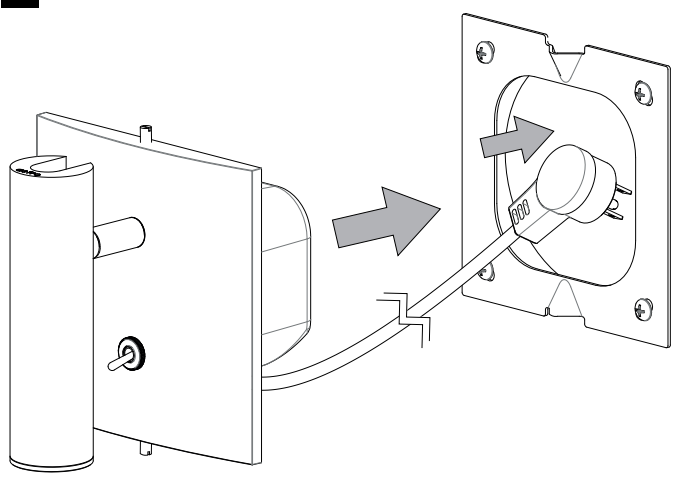
2



3



4



5

