

SIDE BY SIDE USB (CORD SET)

astro

GENERAL

LOCATION:	Interior
CLASS:	cULus (Class I)
LOCATION RATING:	Dry
DRIVER REQUIRED:	Mains 120V
INSTALLATION ORIENTATION:	Wall Mount - Horizontal & Vertical
FITTING METHOD:	Direct to Headboard
MAIN MATERIAL:	Metal - Zinc
DIMENSIONS (mm):	H: 213 W: 260 D: 174
DIMENSIONS (inch):	H: 8.39 W: 10.24 D: 6.85
CUT OUT HOLE (mm/inch):	-
RECESS DEPTH (mm/inch):	-
FIRE RATING:	-
CABLE LENGTH (mm/inch):	3000/118.11
GROSS WEIGHT (lb):	4.02
ADA COMPLIANT:	Yes - if installed in compliance with ADA 307.2, 308, 309.3, 309.4
IC RATING:	-

MAIN LAMP

LIGHT SOURCE:	E26/Medium
WATTAGE:	25W Max
RECOMMENDED LAMP	12W Max LED E26/Medium
LAMP INCLUDED:	-
MAXIMUM LAMP LENGTH (mm/inch):	118
LUMINOUS FLUX (lm):	Lamp Dependent
COLOUR TEMP (K):	Lamp Dependent
CRI (Ra):	Lamp Dependent
MACADAM ELLIPSE:	Lamp Dependent
TILT ADJUSTABLE ANGLE (°):	-
ROTATION ADJUSTABLE ANGLE (°):	-
AVERAGE LIFETIME (hrs):	Lamp Dependent
BEAM ANGLE (°):	Lamp Dependent

SECONDARY LAMP

LIGHT SOURCE:	High Power LED
WATTAGE:	3.2W
LAMP INCLUDED:	Yes (Integral)
LUMINOUS FLUX (lm):	126
COLOUR TEMP (K):	2700
CRI (Ra):	90
MACADAM ELLIPSE:	3-Step
TILT ADJUSTABLE ANGLE (°):	90
ROTATION ADJUSTABLE ANGLE (°):	330
AVERAGE LIFETIME (hrs):	60000
BEAM ANGLE (°):	24.4

ADDITIONAL INFORMATION:

SHADE INCLUDED:	Shade Sold Separately
SHADE/DIFFUSER MATERIAL:	-
SHADE/DIFFUSER FINISH	-
F MARK:	Suitable for mounting on flammable materials



CODE: 1406021
FINISH: BRONZE



CODE: 1406023
FINISH: MATT BLACK



CODE: 1406024
FINISH: MATT NICKEL

MAIN LAMP ELECTRICAL

SWITCHED:	Yes
DIMMABLE:	No
DIMMING METHOD:	-
SUPPLY FREQUENCY (Hz):	50-60
DRIVER/BALLAST VOLTAGE (V):	100-277
DRIVER AVERAGE LIFETIME (hrs):	30000
EFFICACY (lm/W):	Lamp Dependent

SECONDARY LAMP ELECTRICAL

SUPPLY FREQUENCY (Hz):	50-60
DRIVER/BALLAST VOLTAGE (V):	100-277
DRIVER AVERAGE LIFETIME (hrs):	30000
EFFICACY (lm/W):	39

TO MAINTAIN THIS PRODUCT TO ITS BEST CONDITION, PLEASE VIEW OUR CARE AND CLEANING GUIDELINES ON THE SUPPORT SECTION OF THE ASTRO WEBSITE.

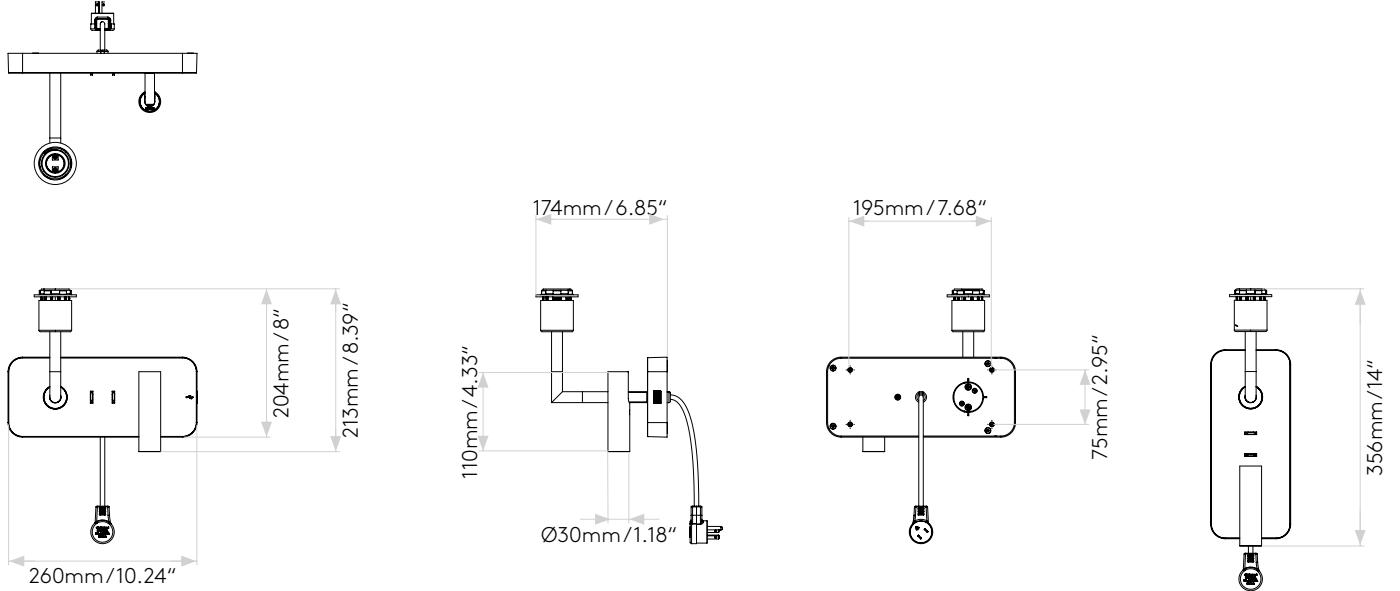
ASTRO® IS A REGISTERED TRADEMARK OF ASTRO LIGHTING LIMITED. ASTRO LIGHTING'S FIXTURE DESIGNS AND IMAGERY ARE PROTECTED UNDER U.S. AND INTERNATIONAL INTELLECTUAL PROPERTY LAWS, AND ALL RIGHTS TO SUCH DESIGNS AND IMAGERY ARE EXPRESSLY RESERVED.

PRODUCT ELEVATIONS

astro

Please note that some dimensions may vary slightly due to manufacturing tolerances, this includes cable entry and fixing holes.

Without Shade



With Tapered Round 250 Shade

