

# MITSU SWING ARM

astro

## GENERAL

|                           |  |
|---------------------------|--|
| LOCATION:                 | Interior   |
| CLASS:                    | cULus (Class 1)  |
| LOCATION RATING:          | Dry  |
| DRIVER REQUIRED:          | Mains 120V   |
| INSTALLATION ORIENTATION: | Wall Mount - Vertical  |
| FITTING METHOD:           | 1/2" Stub Mount & 4" Octagon Box                                   |
| MAIN MATERIAL:            | Metal - Mild Steel   |
| DIMENSIONS (mm):          | H: 218 W: 173 D: 406 Ø: 110  |
| DIMENSIONS (inch):        | H: 8.58 W: 6.81 D: 15.98 Ø: 4.33                                   |
| CUT OUT HOLE (mm/inch):   | -  |
| RECESS DEPTH (mm/inch):   | -  |
| FIRE RATING:              | -  |
| CABLE LENGTH (mm/inch):   | -  |
| GROSS WEIGHT (lb):        | 3.3  |
| ADA COMPLIANT:            | Yes - if installed in compliance with ADA 307.2, 308, 309.3, 309.4 |
| IC RATING:                | -  |

## LAMP

|                                |                        |
|--------------------------------|------------------------|
| LIGHT SOURCE:                  | LED E26/Medium         |
| WATTAGE:                       | 12W MAX                |
| RECOMMENDED LAMP:              | 12W MAX LED E26/MEDIUM |
| LAMP INCLUDED:                 | No                     |
| MAXIMUM LAMP LENGTH (mm/inch): | 126                    |
| LUMINOUS FLUX (lm):            | Lamp Dependent         |
| COLOUR TEMP (K):               | Lamp Dependent         |
| CRI (Ra):                      | Lamp Dependent         |
| MACADAM ELLIPSE:               | Lamp Dependent         |
| TILT ADJUSTABLE ANGLE (°):     | 90                     |
| ROTATION ADJUSTABLE ANGLE (°): | 330                    |
| LIFETIME (hrs):                | Lamp Dependent         |
| BEAM ANGLE (°):                | Lamp Dependent         |

## ELECTRICAL

|                             |                |
|-----------------------------|----------------|
| SWITCHED:                   | Yes            |
| DIMMABLE:                   | -              |
| DIMMING METHOD:             | Lamp Dependent |
| SUPPLY FREQUENCY (Hz):      | -              |
| DRIVER/BALLAST VOLTAGE (V): | -              |
| DRIVER LIFETIME (hrs):      | -              |
| EFFICACY (lm/W):            | Lamp Dependent |

## ADDITIONAL INFORMATION:

|                          |                       |
|--------------------------|-----------------------|
| SHADE INCLUDED:          | Shade Sold Separately |
| SHADE/DIFFUSER MATERIAL: | -                     |
| SHADE/DIFFUSER FINISH    | -                     |
| F MARK:                  | -                     |



CODE: 1394035  
FINISH: MATT NICKEL



CODE: 1394045  
FINISH: BRONZE

TO MAINTAIN THIS PRODUCT TO ITS BEST CONDITION, PLEASE VIEW OUR CARE AND CLEANING GUIDELINES ON THE SUPPORT SECTION OF THE ASTRO WEBSITE.

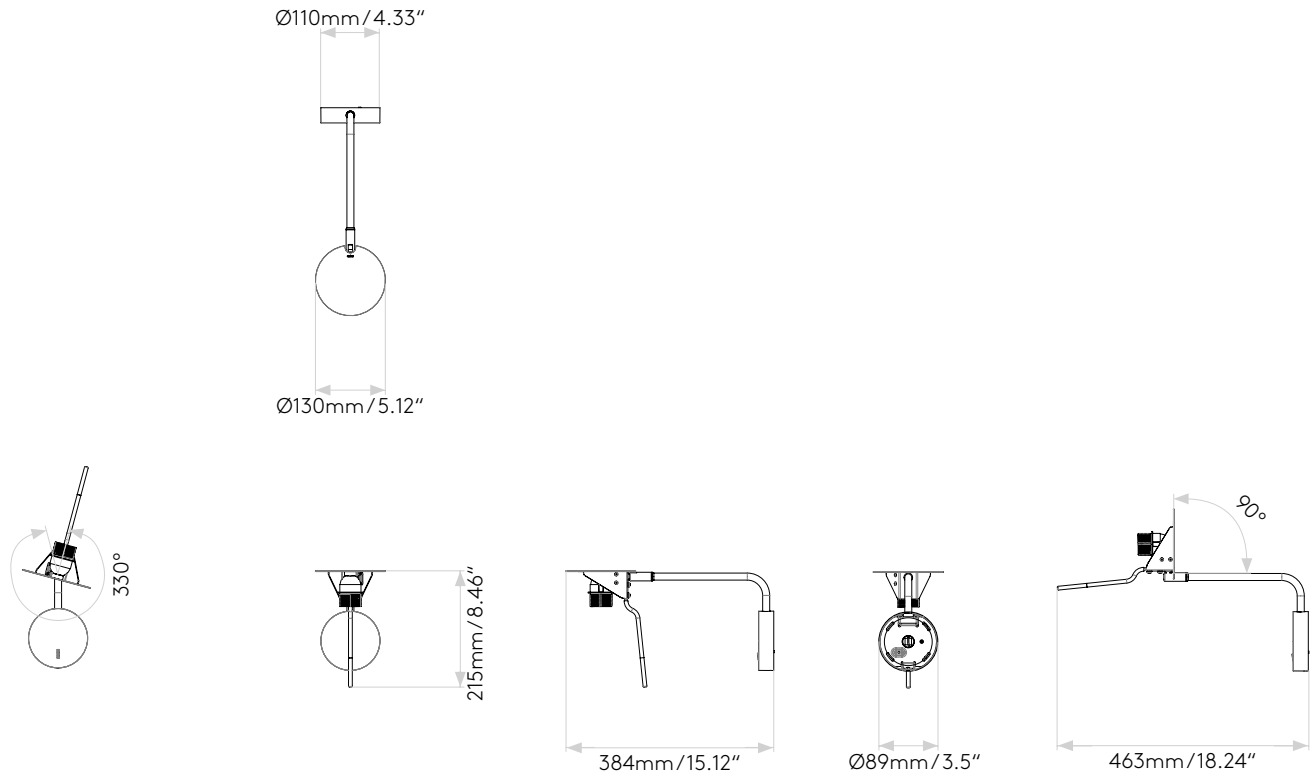
ASTRO® IS A REGISTERED TRADEMARK OF ASTRO LIGHTING LIMITED. ASTRO LIGHTING'S FIXTURE DESIGNS AND IMAGERY ARE PROTECTED UNDER U.S. AND INTERNATIONAL INTELLECTUAL PROPERTY LAWS, AND ALL RIGHTS TO SUCH DESIGNS AND IMAGERY ARE EXPRESSLY RESERVED.

# PRODUCT ELEVATIONS

astro

Please note that some dimensions may vary slightly due to manufacturing tolerances, this includes cable entry and fixing holes.

## Without Shade



## With Shade

